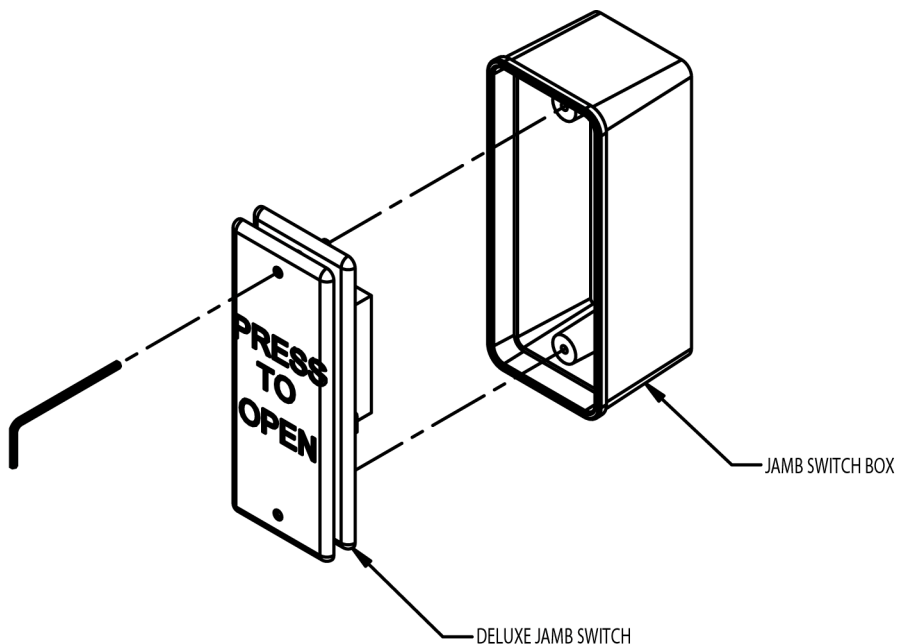
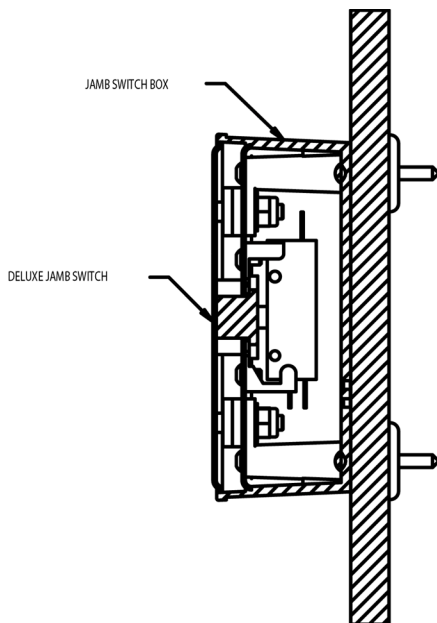


Jamb Box Installation

- Step 1.** Determine switch mounting location based on wall or jamb construction, applicable standards and intended use.
- Step 2.** Punch out holes in the jamb box in the areas provided. Use caution and do not damage any electronics present in the box.
- Step 3.** Drill holes in mounting surface using the mounting box as your template. In hardwired installations, drill a wiring access hole.
- Step 4.** Insert the appropriate fastener through the box and into the mounting surface and tighten securely.
- Step 5.** In hardwired installations, wire the jamb switch to the door controller using the NO and COMMON contacts. A knock-out area is provided for routing switch wires into the box. For radio-controlled installations, wire the jamb switch to the transmitter using the NO and COMMON contacts.
- Step 6.** Use the enclosed wrench to tighten the #6-32 screws into the jamb box (as shown above-right).
- Step 7.** Test for activation.



Jamb Box Assembly



Hollow Jamb Mounting Illustration

Observe all manufacturers recommendations for safety and operation of their products. ANSI/BHMA standards that offer specific recommendations for each type and class of automatic door have been developed. To obtain a copy of the ANSI/BHMA standard that applies to your installation, visit www.buildershardware.com or www.ansi.org.

1902 13th Street SE • PO Box 547 • Brainerd, MN 56401
phone 218-829-9797 • toll free phone 800-523-6996 • fax 218-829-0139 • toll free fax 800-589-3705

www.larcomfg.com