

Zone Monitor 3008 Safety Mat Control Unit



The power of control. Automated.

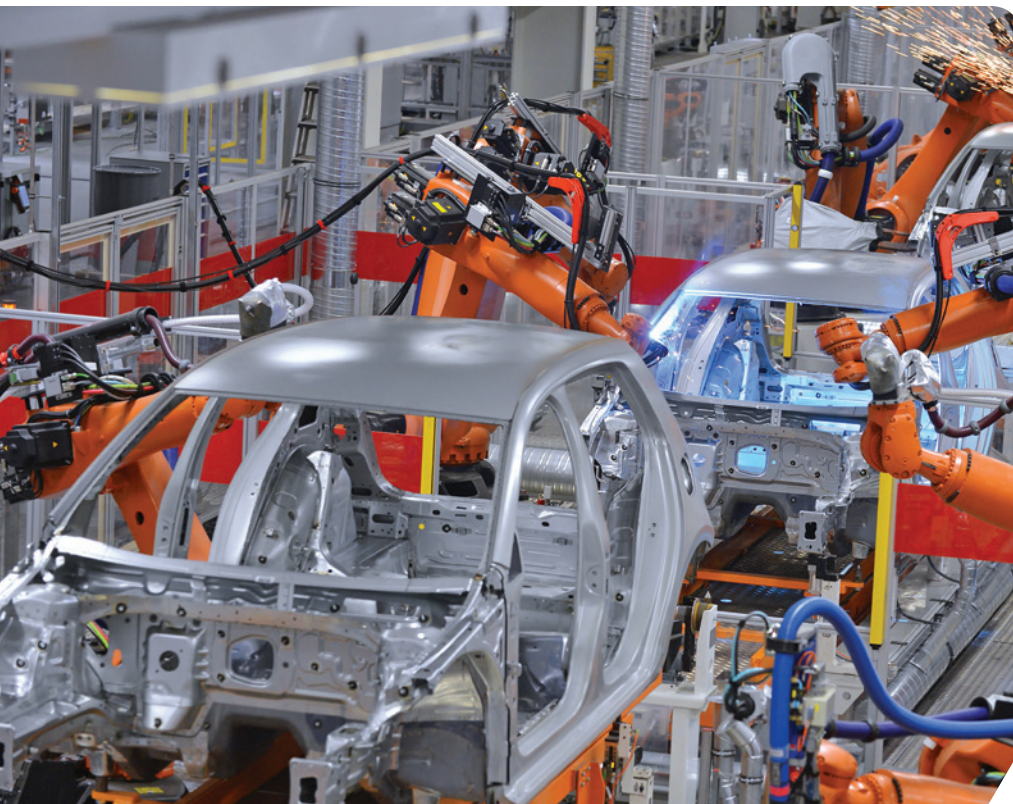
The Larco Zone Monitor 3008 offers unique individual diagnostics with the ability to indicate open circuits on individual mats. The simple design technology enables the system to withstand the toughest industrial environments.

The mat status lights on the front panel indicate which mats have been activated or if a mats wiring has been cut or disconnected. The advanced diagnostic system includes push-to-test relay module checks and visible light indicators for quick and easy system checks.

The Zone Monitor 3008 is designed to be a solution to all of your industrial safety mat applications by providing safe, accurate, and timely notifications.



Connects 1 - 8 Mats



Features and Benefits

- Accepts and monitors from 1 to 8 safety mats without junction boxes
- Accommodates 3 power inputs
- Indicates open circuits on individual mats
- Robust and dependable design
- Multiple operation modes and input voltage options to fit most plant requirements
- Easy wiring and setup with quick disconnect wiring option
- UL Listed, Meets CE and CUL safety requirements



www.larco.com

ZONE MONITOR TECHNICAL SPECIFICATIONS

Response Time:	: <30 milliseconds
Indicators:	
Run	Green LED
Stop	Red LED
Mat Status	8 Mat Activated Red LEDs, 8 Mat Disconnects Yellow LEDs
Relay Fault	Internal Yellow LED
Relay Pack Check Circuit	2 Internal Yellow LEDs
Guard Only Mode Latching Circuit	2 Green LEDs
Operational Modes	Selectable Automatic Restart and Guard Only Modes
Power Input	120 VAC (for 60Hz), 240 VAC (for 50Hz) or 24 VDC
Rated Supply Current	0.125A AC, 0.75A DC
Power Consumption	18 w Max
Safety Inputs	Removable Connectors for up to Eight 4-wire Safety Mats with up to 40' Cord Length Each (quick disconnect mat connections available)
Safety Output Relays	Two Captive Contact Relays with Two Closed When Run(NO) and One Open When Run (NC) Sets of Contacts Rated 8 amps at 230 VAC
Standards of Conformity	UL Listed 60950-1, Designed to Meet ANSI B11.19, Performance Criteria for Machine Guarding, ANSI/RIA 15.06 Industrial Robots and Robots Systems-Safety Requirements, EN/IEC 60204 Safety of Machinery, Pressure Sensitive Protective Devices. Designed to Meet Category 4 Safety Device Requirements.*
Relay Life	Mechanical 10,000,000 Operations; Electrical 500,000 Operations at 1 amp at 240 VAC
Electrostatic Discharge (ESD)	+/-10kV(air discharge), +/-6kV (contact discharge)
Radiated RF Field	10 volts/meter, 100 to 1,000 MHz
Electrical Fast Transients (EFT)	+2kV (power supply), 1kV (control signal)
Operating Temperature	32°F to 121°F (0°C to 50°C)
Relative Humidity	20-90% Acceptable Range
Restart Function	Selectable Manual or Automatic Restart; Internal/Lockout Restart and External/Remote Restart Available
Reset Function	Power-up/Relay Fault Reset Internal Manual Pushbutton
Enclosure	Steel (powdercoat machinery black)
Nominal Size	8" H X 8" W X 4" D (203 mm X 203 mm X 102 mm)
Enclosure Rating	NEMA 12, IP 65
Mounting	Surface Mount
Shipping Weight	11 lbs

ORDERING INFORMATION"

Zone Monitor 3008	Part #: 0023512700
Zone Monitor 3008QD	Part #: 0023512800

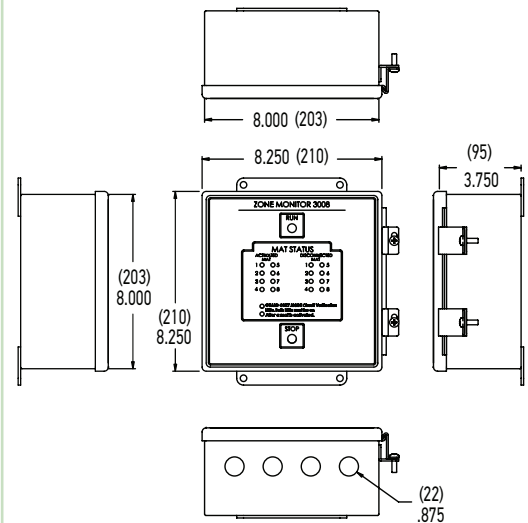
WARNING! Usage of safety mats and safety mat devices is governed by each user's local codes and applicable industry standards. Improper usage of these devices could result in severe injuries. In the event that Larco safety mats do not prevent all access to the hazardous operation, the unprotected access must be guarded by other appropriate safeguarding devices or barriers.

* The Larco Zone Monitor 3008 is only one part of a safety mat system, which also includes safety mats and mounting trim.



Applications

- Robotic Welding
- Load/unload station
- Assembly machinery
- Pick and place robots
- Packaging machinery



View the full product line at Larco.com

2019-0012-001 Rev. B 5/19



WARNING: Cancer and Reproductive Harm - www.P65Warnings.ca.gov

ATEK Access Technologies
10025 Valley View Road, Ste. 190
Eden Prairie, MN 55344 U.S.A.

PH: 1.800.523.6996
FAX: 1.800.589.3705
+1.218.829.9797

www.atekaccess.com

ATEK Access Technologies

Access the power of technology.

©2019 ATEK Access Technologies, LLC. All Rights Reserved. Larco images and marketing materials are protected by various patents, copyrights and/or trademarks. ATEK assumes no responsibility for any errors which may appear in this document, reserves the right to change devices or specifications detailed herein at any time without notice, and does not make any commitment to update the information contained herein. No licenses to patents or other intellectual property of ATEK are granted by the Company in connection with the sale of Larco products, expressly or by implication.