

# Remote Post Assemblies



The power of control. Automated.

Larco remote post assemblies can accommodate any push plate wall switches. Made from a top-quality finished aluminum, or heavy-duty stainless steel, they are designed to withstand tough weather conditions.

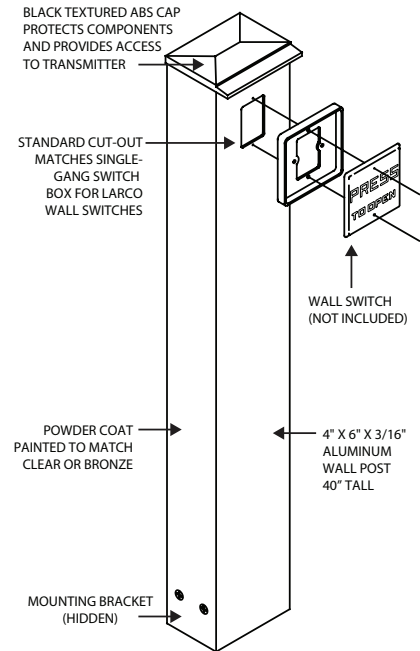
## Remote Post Options

**Finishes** Larco aluminum posts are powder coat painted for clear or bronze applications. Black powder coat and mill finish are also available. The stainless steel post assemblies are available with a #4 satin finish or a #8 high polish.

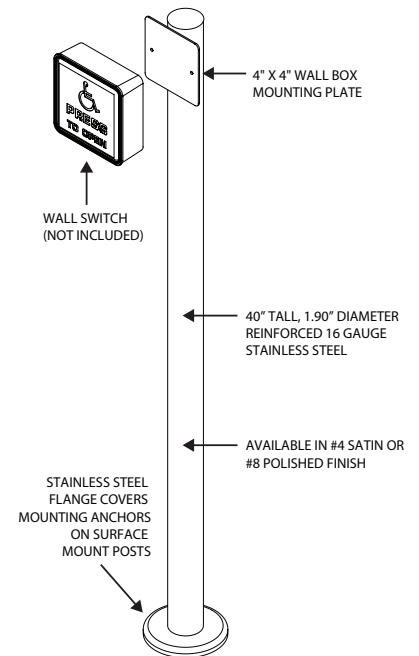
**Sizes** The standard height for surface mount remote posts is 40". Longer lengths for core mounting or custom applications are available up to 120".

**Alternate Device Cutouts** Larco remote posts can accommodate many different types of access devices including biometrics, card readers, key switches and more.

**Alternate Configurations** Remote posts can be combined with guide rails to provide a secure method of mounting security devices.



Aluminum Remote Post



Stainless Steel Post

## Round Stainless Posts

DESCRIPTION	PART NUMBER
Mirror Round Post, 4-1/2" Plate, Core Mount	4033811300
Satin Round Post, 4-1/2" Plate, Core Mount	4033811331
Bronze Round Post, 4-1/2" Plate, Core Mount	4033811313
Black Round Post, 4-1/2" Plate, Core Mount	4033811311
Mirror Round Post, 4-1/2" Plate, Surface Mount	4033811400
Satin Round Post, 4-1/2" Plate, Surface Mount	4033811431
Bronze Round Post, 4-1/2" Plate, Surface Mount	4033811413
Black Round Post, 4-1/2" Plate, Surface Mount	4033811411

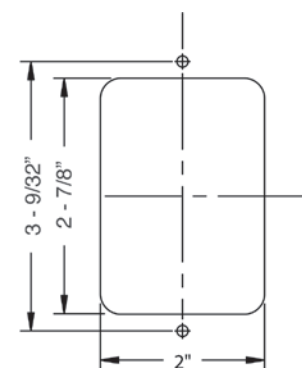
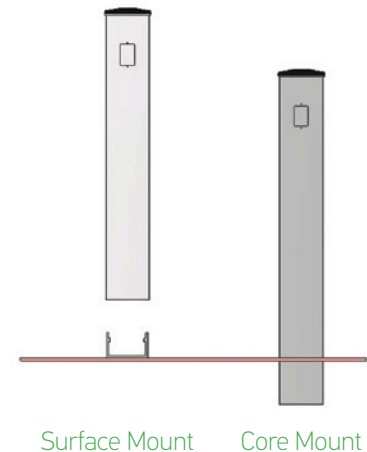
## Aluminum Posts

DESCRIPTION	PART NUMBER
Silver (Clear) Powder Coat Assembly Hardwired without Transmitter	23498700
Bronze Painted Post Assembly without Hardwired Transmitter	23498713
Silver (Clear) Powder Coat Post Assembly with 433 MHz Wireless Transmitter*	23498900
Bronze Powder Coat Post Assembly with 433 MHz Wireless Transmitter*	23498913
Silver (clear) Powder Coat Post Assembly with 300 MHz Wireless Transmitter*	23498800
Bronze Powder Coat Post Assembly with 300 MHz Wireless Transmitter*	23498813
Replacement Cap	21831200
Replacement Cap with 433 MHz Wireless Transmitter*	23458700
Replacement Cap with 300 MHz Radio-Control Transmitter*	23174900

\* Receivers and Switches are Sold Separately.



## Post Mounting Options



Wall Switch Cut-Out Detail for Remote Post Assembly

## Compliment with a Larco Push Plate Switch

Larco push plate switch products have long set the standard for looks, durability, budget and compatibility. Larco products offer superior form and function in all types of environments, resisting extreme weather and vandalism to provide a long-lasting door activation solution.

Larco stainless steel, copper and aluminum push plate switches are available in a wide variety of sizes and shapes, with standard and custom engravings. Choose from radio controlled and hardwired switches.

[View the full product line at Larco.com](http://www.larco.com)

201-0029-000 Rev. D 5/19



WARNING: Cancer and Reproductive Harm - [www.P65Warnings.ca.gov](http://www.P65Warnings.ca.gov)

ATEK Access Technologies  
10025 Valley View Road, Ste. 190  
Eden Prairie, MN 55344 U.S.A.

PH: 1.800.523.6996  
FAX: 1.800.589.3705  
+1.218.829.9797

[www.atekaccess.com](http://www.atekaccess.com)



Access the power of technology.