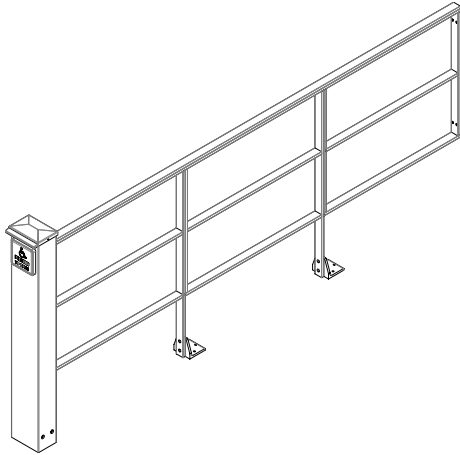


# Aluminum Guide Rail/ Remote Post Combination

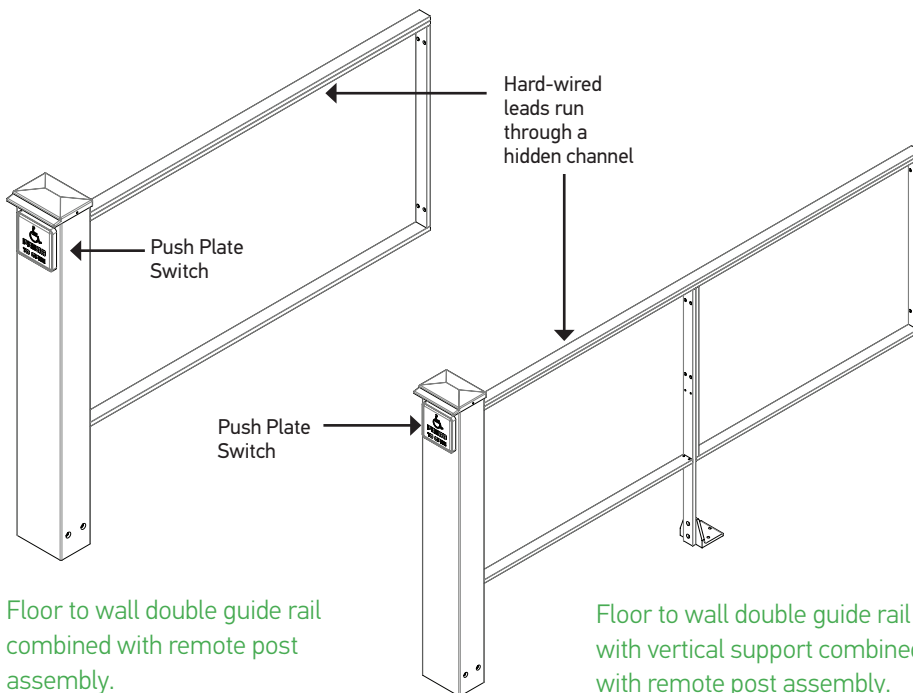


The power of control. Automated.

Larco offers a guide rail/remote post assembly combination to mount door activation devices and provides a means to efficiently and aesthetically route wires.



The attractive and durable anodized aluminum guide rails can be combined with the Larco remote post assembly to provide a complete access control solution. Card readers or other identification devices can be added to the remote post below the wall switch shown to control access to sensitive areas, and wires can be routed to door jambs or operators through the guide rails.



Floor to wall double guide rail combined with remote post assembly.

Floor to wall double guide rail with vertical support combined with remote post assembly.

## Specifications

### Material and Construction

**Guide Rail:** 1-1/2" x 1/2" 6063-T5 anodized aluminum extrusion. Heavy duty extrusions (1-3/4" x 1/2") are also available.

**Remote Posts:** 4" X 6" X 40" with 3/16" wall.

### Colors:

Guide Rail standard finishes include clear or dark bronze, anodized aluminum. Custom colors are available.

Remote Posts are powder coat painted for clear or bronze applications. Black powder coat and mill finish are also available.

### Panels:

Standard panel color is black. Mesh panels are also available in clear mill finish and powder coat bronze.

### Style:

Any of the Larco standard or custom guide rails can be used. Safety beams and wall switch channels can be added for an additional charge.

Designed to meet ANSI A156.10 standard for guide rails, when required. Guide rails are required for most swing door and folding door applications. Low-energy swinging, or folding doors do not require guide rails unless they are activated by a mat or sensor, then they must conform to the full-power door standards.

View the full product line at [Larco.com](http://Larco.com)

201-0164-000 Rev. B 5/19  WARNING: Cancer and Reproductive Harm - [www.P65Warnings.ca.gov](http://www.P65Warnings.ca.gov)

ATEK Access Technologies  
10025 Valley View Road, Ste. 190  
Eden Prairie, MN 55344 U.S.A.

PH: 1.800.523.6996  
FAX: 1.800.589.3705  
+1.218.829.9797

[www.atekaccess.com](http://www.atekaccess.com)



Access the power of technology.

©2019 ATEK Access Technologies, LLC. All Rights Reserved. Larco images and marketing materials are protected by various patents, copyrights and/or trademarks. ATEK assumes no responsibility for any errors which may appear in this document, reserves the right to change devices or specifications detailed herein at any time without notice, and does not make any commitment to update the information contained herein. No licenses to patents or other intellectual property of ATEK are granted by the Company in connection with the sale of Larco products, expressly or by implication.