

Guardian II

Export Keys



The power of control. Automated.

Guardian II export keys are used to export controller audit trail information. Because the Guardian II controllers operate without any need for a network or connection to a “central controller” of any kind, these convenient export keys provide a simple and secure way to transfer audit trail information between the Guardian II controllers and the Guardian II software application. The Guardian II software provides a variety of reports for viewing/analyzing the logged controller events.

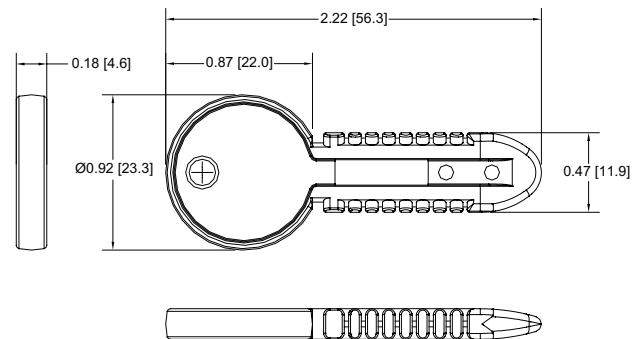
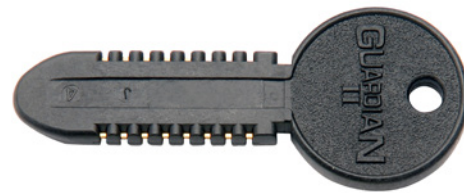
The Guardian II export keys eliminate the need to ever carry a laptop or PDA out to a stand-alone controller to retrieve audit trail information. With the Guardian II system, logged controller events can be downloaded with a simple “turn of a key”. Guardian II export keys are easily imported into the Guardian II software by using the G2 Programmer, which is included with the Guardian II administration kit. All data stored on the export key is encrypted to enhance security.

Export keys can hold approximately 5000 event records. Since each controller can store (typically) 1500 event records, a single export key may be used to export records from multiple controllers at a time. When exporting records, the controller will check to see how much space is available on the export key and will only export the number of records that will fit on the key. This makes the exporting process as easy for the user as possible.

Similar in size to traditional keys, Guardian II export keys conveniently fit on a key-chain and have redundant contacts so there is no wrong way to insert the key. The keys utilize solid over-molded construction using a composite material, which protects the internal memory from the elements. This rugged design assures that the stored data is retained even when the key is exposed to dirt, moisture, chemicals, electrostatic discharge, and other harsh environmental factors. The rugged design of the Guardian II keys has been field-proven to operate reliably in harsh environments for over 35 years.

MECHANICAL	
Contact Life	15,000 Insertion/Removal Cycles Min.
Contact Arrangement	Fully Redundant (Top:Bottom)
Key Head Shear Limit	15 Pounds
Key Twist Torque Limit	15 Inch-pounds
ENVIRONMENTAL	
Storage Temperature	-40°C to +100°C (-40°F to +200°F)
Operating Temperature	-40°C to +85°C (-40°F to +185°F)
ESD Protection	10 kV
Relative Humidity	5% to 95% (non-condensing)
MEMORY	
Size	256K-bit
Write/Erase Cycles	100,000 Cycles Minimum
Data Life (Storage)	10 Years Minimum
ORDERING INFORMATION ¹	
Export Key (Black)	611-0212-000A

¹ "A" suffix in part number designates RoHS compliance



Drawing dimensions are in inches and millimeters [mm].
Dimensions are nominal and subject to manufacturer's tolerances.

221-0184-002 Rev. C 5/19



WARNING: Cancer and Reproductive Harm - www.P65Warnings.ca.gov

ATEK Access Technologies
10025 Valley View Road, Ste. 190
Eden Prairie, MN 55344 U.S.A.

PH: 1.800.523.6996
FAX: 1.800.589.3705
+1.218.829.9797

www.atekaccess.com



Access the power of technology.